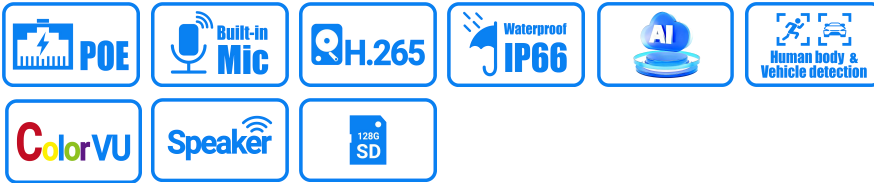




IPY-SE81420LDS2

4MP Human Tracking Dual Lens Dual Light
Two-way Audio PoE IP PTZ Camera



■ Features

- 1/2.9" CMOS sensor
- 4MP resolution 1920x1080 * 2
- Fixed focus lens (wide-angle) and zoom lens (tracking)
- Low illumination 0.01Lux
- 20x optical zoom
- Smart Human Detection Alarm
- Smart Human Tracking
- Built-in Mic and speaker, two-way audio
- Day/Night, AWB/MWB, BLC, HLC, 2D/3D-DNR, Shutter, IR-CUT
- DWDR, Flip
- Multiply Style OSD Overlay, Motion Detection, Privacy Mask
- RTSP and Onvif 17.06 compatible with many third-party NVR
- H.264/H.265 dual-stream media server
- Easy-to-use P2P Cloud service
- Support user authentication, video data encryption
- Support Alarm Snapshot to Email and FTP
- Multiply WEB browser IE,Firefox,Chrome,Edge,Safari
- Free PC Client, Mobile APP remote access
- RJ45 100mbps network port, IEEE802.3af 48v PoE
- Lightning protection 4000V
- Strong metal water-proof housing, IP66
- 16 pcs Array Led(6 dual-light Led + 6 IR led +4 white light)
- IR distance 80-100 meters





IPY-SE81420LDS2

4MP Human Tracking Dual Lens Dual Light
Two-way Audio PoE IP PTZ Camera

■ Specification

Camera

Image Sensor	1/2.9" CMOS
Effective Pixels	4 megapixels
Electronic Shutter	AUTO, 1/10s ~ 1/10000s
Min. Illumination	0.01Lux@F1.2(AGC ON)
Day/Night	Auto/Color/(B/W)/Timing
WDR	Digital WDR
White Balance	Auto/Manual
BLC /HLC	Support
DNR	2D/3D DNR
Other	Image adjust,Flip

Encode

Video Standard	H.265+/H.265/H.264
Video Resolution	MainStream:20fps@2MP(1920x1080)/720P,etc.Sub stream: 640x360,etc.
Video Bitrates	128kbps –1.5Mbps, VBR/CBR
Audio Standard	G.711U/G.711A/AAC
Two-way audio	Built-in Mic and speaker
Smart Detection	Motion DetectionHuman Detection

IR Led

IR Led	up:6 dual light leddown: 6 infrared light ledand 4 white lightled
IR Distance	80-100M

Lens

Focal length	Fixed: 2.8mm Zoom: 4.7-94mm
IRIS	F1.6-3.5
View angle	64 ° - 2.9 °
Zoom	20x optical zoom

OtherFunction

High power PoE+, SD Slot, Reset button





IPY-SE81420LDS2

4MP Human Tracking Dual Lens Dual Light
Two-way Audio PoE IP PTZ Camera

■ Specification

PTZ

Pan/Tilt Range	Pan: 0° ~ 350°; Tilt: -5° ~ 90°
Preset Point	32
Control Speed	Pan: 35° /s; Tilt: 13° /s
A-B	
Auto Cruising	Support 2 groups patrol, Max. 16 presets in group
Power on Action	Preset/Scan/Cruise
Power-off Recovery	Support
Smart Tracking	Human Detection Tracking together with patrol

Network Services

Protocol	HTTP/HTTPS/RTSP/FTP/SMTP/DHCP/NTP, etc.
P2P	Yes
Web	IE, Firefox, Chrome, Edge, Safari
Media	CMS, Android, IOS
ONVIF	17.06 compatible

General

Network Port	1-RJ45, 100Mbps,PoE+48V in
Power Supply	12 VDC ± 10% 2A
Power Consumption	<20 W
Operating Temp.	-30°C-(+60)°C, 10%-90%RH
Size	5inch
Weight	Approximately 1.5kg





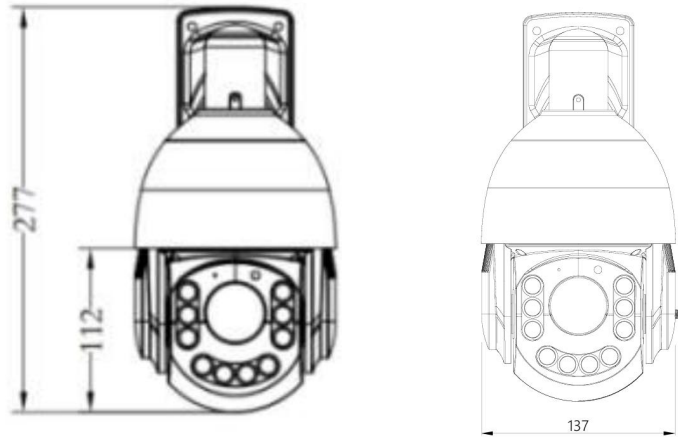
IPY-SE81420LDS2

4MP Human Tracking Dual Lens Dual Light
Two-way Audio PoE IP PTZ Camera

■ Available Model

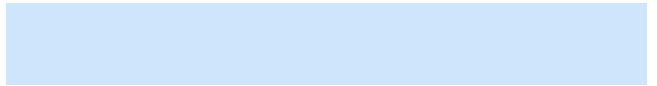
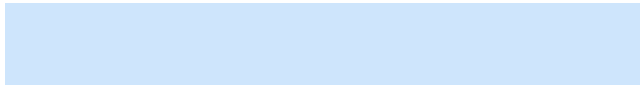
IPY-SE81420LDS2

■ Dimension



■ Accessory

■ Optional



Uin Technology Co., Ltd.

+86-871 63586112

www.uin-tech.com

4F,Block 7 Lijincheng High Tech Garden,Longhua District,Shenzhen China

