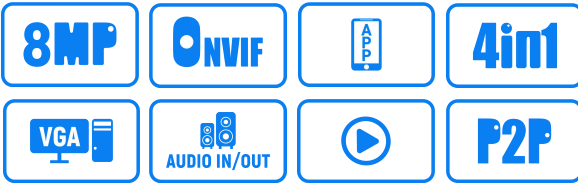




UIN-XVR3216-Q3

16-ch 2-SATA 8MP XVR



■ Features

- Support H.265/H.264 video formats
- Support audio over coaxial cable(only for TVI cameras)
- Support TVI, AHD, CVI, CVBS, IP cameras with adaptive access
- 16-channel BNC input
- Support 1-ch CVBS output, 1-ch VGA output, 1-ch HDMI output at up to 4K(3840 x 2160)
- HDMI and VGA simultaneous output
- Long transmission distance over coaxial cable
- Support mainstream cameras of ONVIF and RTSP protocols





UIN-XVR3216-Q3

16-ch 2-SATA 8MP XVR

■ Specification

Video/Audio Input													
Analog Video Input	16-ch, BNC												
IP Video Input	8-ch(only IP up to 24ch),each channel up to 8MP Support AHD input: 8MP@15fps5MP@20fps4MP@30fps1080P@30fps720P@60fpsSupport TVI input:8MP@15fps5MP@20fps4MP@30fps1080P@30fps720P@60fpsSupport CVI input:8MP@15fps5MP@25fps4MP@30fps1080P@30fpsSupport CVBS input												
Supported Analog Camera Types													
Audio Input	1-ch, RCA												
Audio Compression	G.711U												
Video/Audio Output													
CVBS Output	1-ch, BNC												
VGA Output	1920x1080p/60Hz, 1920x1080p/50Hz, 1600x1200/60Hz, 1280x1024/60Hz, 1280x720/60Hz, 1024x768/60Hz												
HDMI Output	4K(3840X2160)/30Hz, 1920x1080p/60Hz, 1920x1080p/50Hz, 1600x1200/60Hz, 1280x1024/60Hz, 1280x720/60Hz, 1024x768/60Hz												
Audio Output	1-ch, RCA												
Synchronous Playback	16												
Live view display	HDMI/VGA: 1/4/6/8/9/16/25												
Two-way Audio	1-ch, RCA												
Network													
Incoming Bandwidth	80Mbps (Up to 112Mbpsafter all analog channel conversion)												
Outgoing Bandwidth	160Mbps												
Remote Protocols	128 TCP/IP, P2P, UPnP, NTP, DHCP, PPPoE, HTTP, HTTPS, DNS, DDNS, SMTP IE(IE10/11) for WindowsFirefox (version 52.0 and above) for WindowsChrome(version 45 and above) for WindowsEdge(version 79 and above)for Windows												
Browser													
Encoding													
Recording Resolution	8MP Lite/5MP Lite/4MP Lite /1080P/720P/D1												
	<table border="0"> <tr> <td>Main stream</td> <td>Sub stream</td> </tr> <tr> <td>8MP Lite@8fps</td> <td>D1@8fps</td> </tr> <tr> <td>5MP Lite@12fps</td> <td>D1@12fps</td> </tr> <tr> <td>4MP Lite@15fps</td> <td>D1@12fps</td> </tr> <tr> <td>1080P@15fps</td> <td>D1@12fps</td> </tr> <tr> <td>720P@30fps</td> <td>D1@12fps</td> </tr> </table>	Main stream	Sub stream	8MP Lite@8fps	D1@8fps	5MP Lite@12fps	D1@12fps	4MP Lite@15fps	D1@12fps	1080P@15fps	D1@12fps	720P@30fps	D1@12fps
Main stream	Sub stream												
8MP Lite@8fps	D1@8fps												
5MP Lite@12fps	D1@12fps												
4MP Lite@15fps	D1@12fps												
1080P@15fps	D1@12fps												
720P@30fps	D1@12fps												
Recording Frame Rate													
Audio Sample Rate	8KHz,16 bit per channel												
Audio Bit Rate	64Kbpsper channel												
Decoding													
Capability	Analog: 16 x8MP Lite@8, 16x 5MP Lite@12, 16x 4MP Lite@15, 16x 1080P@15, 16x 720@30IP: 24 x D1@30, 16 x 720P@30, 8x 1080P@30												
Hard Disk													
SATA Capacity	2 SATA interfaces Up to 8TB for each HDD(The maximum HDD capacity varies with environment temperature)												
General Alarm													
General Alarm	Motion detection												
Alert Alarm	IP Conflict, Network Disconnected, Disk offline, Disk Abnormal, Illegal Access,Hard Disk Space Low, Hard Disk Full, Recording/Snapshot Abnormal												
General													
Network Interface	1 RJ45 10M/100M/1000M self-adaptive Ethernet Interface												
USB Interface	Rear panel: 1 x USB3.0, Front panel: 1xUSB2.0												
Serial Interface	1 x RS485												
Alarm In	4												
Alarm Out	1												
General													
Power Supply	12V DCPower Consumption: ≤ 12 W(without HDD)												
Working Environment	-10°C~+ 55°C (+14°F~+131°F), Humidity ≤ 90% RH (non-condensing)												
Dimensions(W×D×H)	380mm ×326mm× 53mm (15.0" × 12.8"×2.1")												
Weight (without HDD)	≤2.0 Kg (4.4lb)												
Certification													
Certification	UL /CE /FCC /RoHS /WEEE												

* Product specifications may change without prior notice.





UIN-XVR3216-Q3

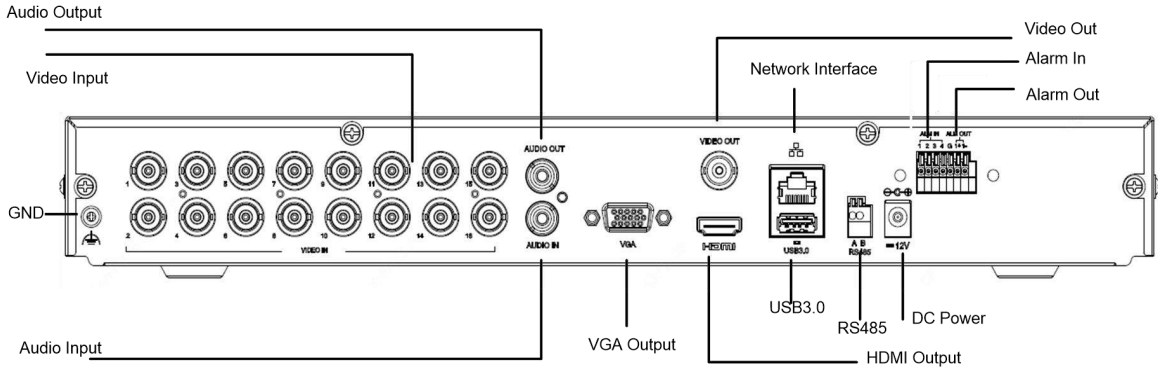
16-ch 2-SATA 8MP XVR

Available Model

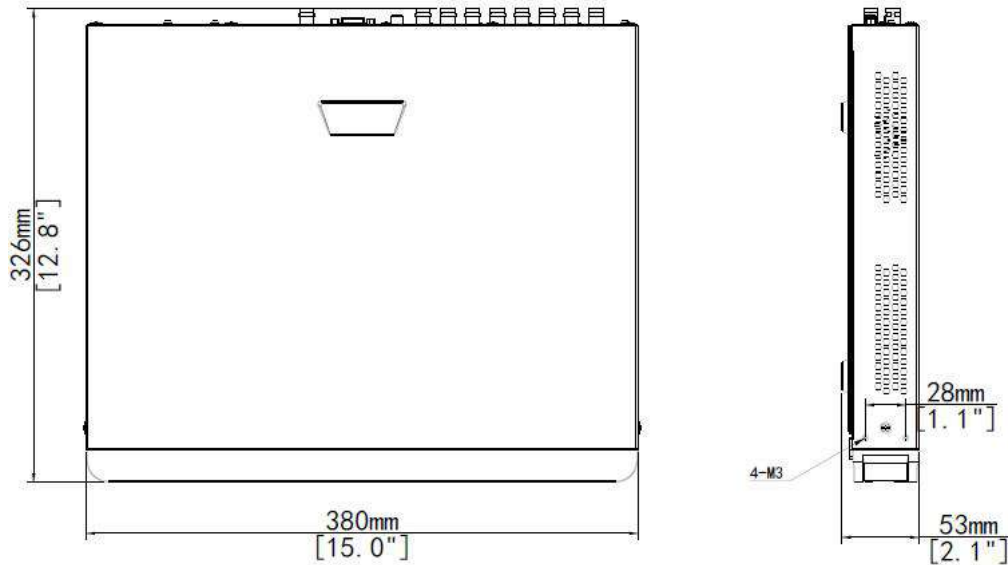
UIN-XVR3116-G3 (1 SATA)

UIN-XVR3216-Q3 (2 SATA)

Rear Panel



Dimension



Uin Technology Co., Ltd.

+86-871 63586112

www.uin-tech.com

4F,Block 7 Lijincheng High Tech Garden,Longhua District,Shenzhen China

