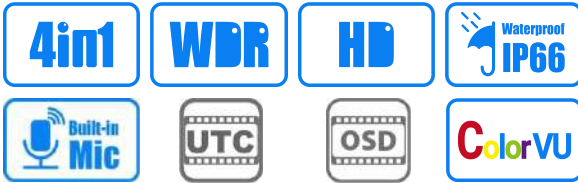




# HDY-B915VUF3S

5 MP 4-IN-1 Coaxial ColorVu Fixed Turret Camera



## ■ Features

- 4-in-1 HDTV/HDCVI /AHD / CVBS optional output
- UHD resolution 20fps@2560×1944P CMOS sensor
- Ultra low illumination 0.05Lux
- Built-in mic
- Up to 300M long distance and high speed real time monitoring
- OSD menu control up the coaxial cable (UTC)
- Low light and perfect night vision
- Day/Night (ICR), AWB, AGC, DNR
- Lightning protection
- Strong water-proof housing, IP66
- 2 pcs warm Led, distance 20-30 meters
- 3.6mm Fixed





## HDY-B915VUF3S

5 MP 4-IN-1 Coaxial ColorVu Fixed Turret Camera

### ■ Specification

#### Camera

Image Sensor	1/2.7"CMOS
Chipset	FH8538E+SSC501AI
Effective Pixels	2592(H)×1944(V)
Video Resolution	TVI/AHD:20 fps@2560×1944P, CVI 30 fps@2560×1440P, adjustable
Electronic Shutter	AUTO, 1/25 -1/50,000s
Min. Illumination	0.05Lux@F1.2(AGC ON), 0Lux IR on
Video System	PAL/NTSC
Video Output	1 channel, HDCVI / HDTVI/AHD/CVBS, adjustable
Video Switch	DIP switch
Day/Night	Auto/Color/(B/W)/EXT
White Balance	ATW/Manual
DNR	2D NR
OSD Menu	Multiplelanguages OSD menu control up the coaxial cable (UTC)
Other	Built-in Mic (TVI)

#### IR Led

Warm Led	2 pcs warm Led
Distance	20-30M

#### Lens

Focal length	3.6mm fixed lens
--------------	------------------

#### General

Power Supply	12 VDC ± 10%
Power Consumption	<5 W
Operating Temp.	-30°C-(+60)°C, 10%-90%RH





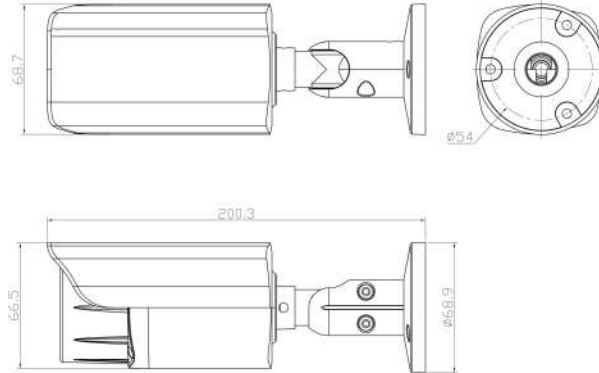
## HDY-B915VUF3S

5 MP 4-IN-1 Coaxial ColorVu Fixed Turret Camera

### ■ Available Model

HDY-B912VUF3S    HDY-B915VUF3S    HDY-B918VUF3S

### ■ Dimension



### ■ Accessory

### ■ Optional



**Uin Technology Co., Ltd.**

+86-871 63586112

[www.uin-tech.com](http://www.uin-tech.com)

4F,Block 7 Lijincheng High Tech Garden,Longhua District,Shenzhen China

